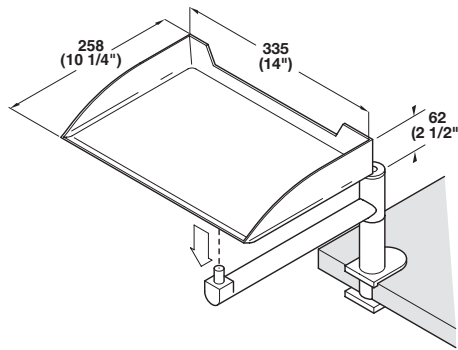
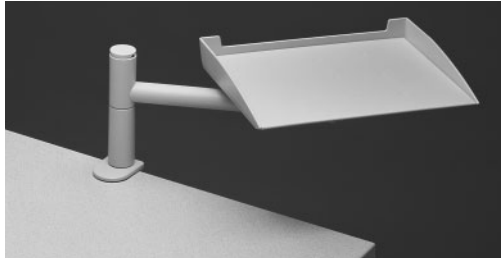


Integral®-Desktop Management System



Telephone/Accessory Swivel Arm Tray Clamp Mount 5/8" - 3"

Consists of: uprights with swivel arm
plastic tray

Finish: Arm: zinc black Tray; plastic

Color	Cat. No.
Black solid	818.47.260

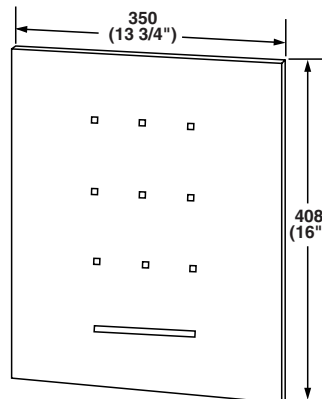
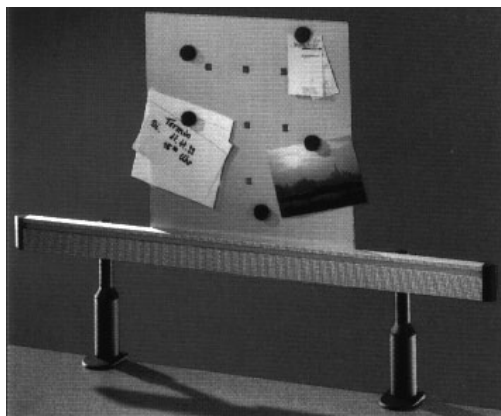
Telephone/Accessory Swivel Arm Tray Through Mount

For thicknesses up to 1 5/8" thick, requires a Ø1" hole.

Color	Cat. No.
Black solid	818.47.261

Packing: 1 set

- Choose between clamp mount or through mount uprights.
- Through mount requires a ø25 mm (1") hole.
- Telephone tray is only offered in black.



Magnetic Board.

includes 5 pcs. magnetic buttons.
Finish: steel, epoxy coated silver RAL 9006

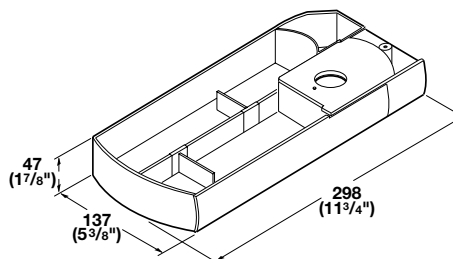
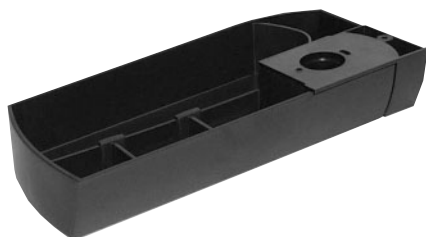
Cat. No.	818.52.921
----------	------------

Packing: 1 set



Mount under shelves, cabinets, desks, etc. Tray swings out for access.

- Swing-out tray pivots from left to right as shown in above photograph.



Swing-out tray, multi-purpose with 2 adjustable dividers and pivot bearing for screw-mounting
Finish: plastic

Color	Cat. No.
Black solid	547.60.300
Silver solid RAL 9006	547.60.100
White translucent	547.60.700

Packing: 1 pc. (with fastening screws)

Tables, Legs, Casters, Levelers and Office Organization

Dimensional data not binding.
We reserve the right to alter specifications without notice.

Dimensions in mm
Inches are approximate

TCH 04

1301